



USER MANUAL

HDMI Over Ethernet

(Support multipoint to multipoint, IR control, 1080P)

Model No :VHDI-0120M

1.Introduction

HDMI Over Ethernet is a device based on the standard TCP/IP protocol for transmitting HD audio and video source over LAN . It transmits your HD display with the high resolutions up to 120 meters away from your HDMI or DVI-D source by using one CAT5e/6 cable. At the same time, it's also convenient to transmit HDMI audio and video source by point-to-point, multipoint-to-multipoint and cascade connection mode.



2.Features &Specifications

- Support HDMI1.3/HDCP1.1&1.2
- Support point-to-point mode, multipoint-to-multipoint mode and cascade connection mode.
- Standard 802.3 Ethernet
- Support one way IR extension.
- Pure hardware design, plug and play, do not need to install additional software

HDTV Resolutions	480p,720p,1080p
Audio	Sample rate:32kHz,44.1kHz,48kHz
IR remote control	38kHz;NEC
HDMI	HDMI 1.3
HDCP	HDCP 1.2
Power adapter	DC5V/1A
Power consumption	HDMI Sender:3W HDMI receiver:3W
Size(L-W-H)	92x79x28mm
Weight	240g x 2
Operating Temperature/Humidity	0°C-70°C/10%-80%RH(no condensation)
Storage Temperature/Humidity	-10°C-80°C/5%-90%RH(no condensation)

3.Package Contents

Before attempting to use this unit, please check the packaging and make sure the following items are contained in the shipping carton:

- 1) one piece of HDMI transmitter
- 2) one piece of HDMI receiver
- 3) Two pieces of DC 5V power supply
- 4) One pair of IR transmitter and receiver
- 5) User's Manual

4.Physical interface diagram

HDMI Transmitter



Port	Function
DC/5V	Supply power for the transmitter
RESET	Hold down the key,the model will re-start
IR-TX	Connect IR transmitter to this port
HDMIIN	Connect HDMI source to this port
UTP OUT	Cat5e/6 cable out
SET	Setting TX match with RX, it has 16 choices via 4 DIP codes

HDMI Receiver



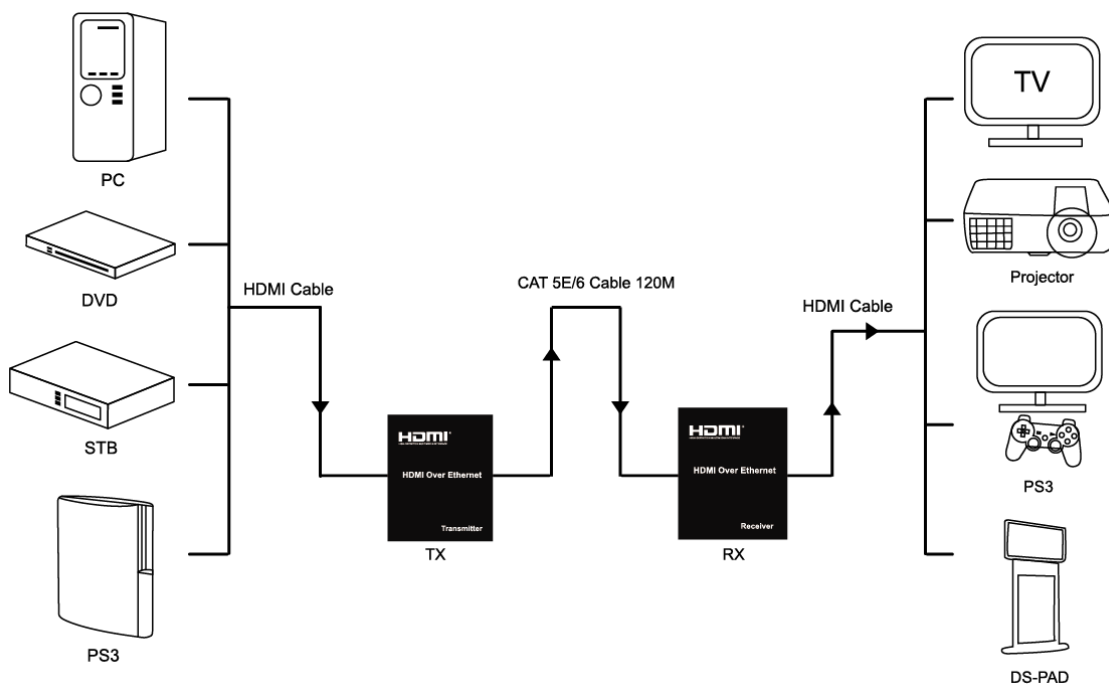
Port	Function
DC/5V	Supply power for the receiver
RESET	Hold down the key,the model will re-start
IR-RX	Connect IR receiver to this port
HDMI OUT	Connect HDTV to this port
UTP IN	Cat5e/6 cable in
SET	Setting TX match with RX, it has 16 choices via 4 DIP codes

5.Connection and operation

- 1) Connect the HDMI source to the HDMI Transmitter with HDMI cable
- 2) Connect the HDMI receiver to the HDTV display with HDMI cable.
- 3) Use one Cat5e/6 cable up to 120m to connect the Sender and Receiver.
- 4) Connect the "IR receiver "into "IR-TX" port on transmitter, and "IR transmitter " into the "IR-RX" on receiver, and make sure the IR transmitter aim at IR receiver of the controlled device if you need the IR control function.
- 5) Connect two pieces of 5V power supply to the transmitter and receiver, power supply for the equipment and the LED indicator light on. When status lamp on and flicker, equipment starts normal.
- 6) Multipoint to multipoint match setting: when multipoint to multipoint connecting and multiple TX and multiple RX connect to the switch, the IP extender can match based on "SET" setting (eg: "SET" of TX is 0001, "SET" of RX is 0001).

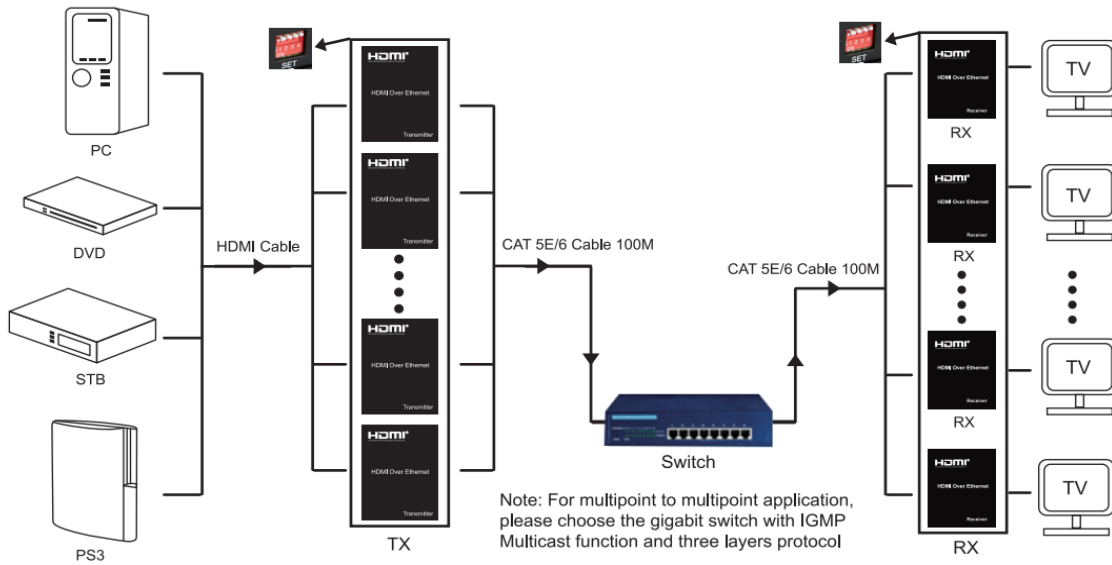
6.Application diagrams

Application 1: point to point application



Application 2: multipoint to multipoint application

multipoint to multipoint application



Note: For multipoint to multipoint application, please choose the gigabit switch with IGMP Multicast function and three layers protocol