

HDMI Signal Extender

VHDI-0120



Features:

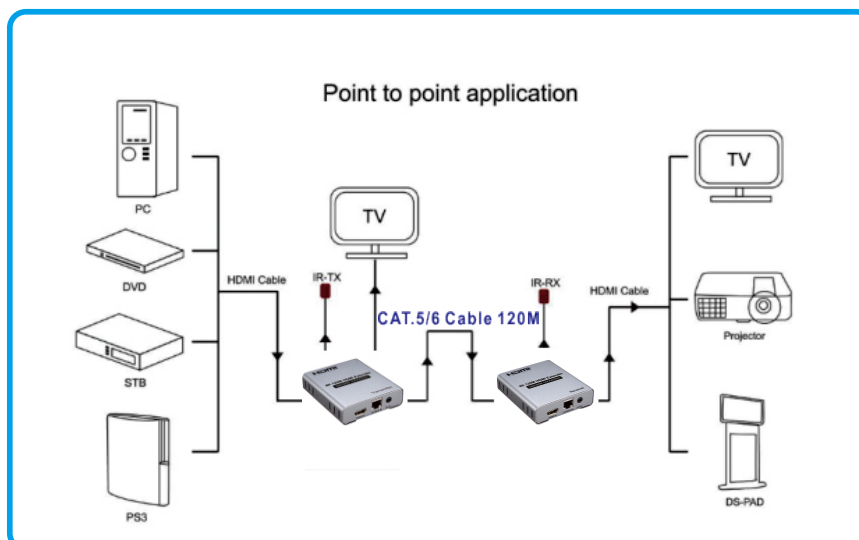
- Support HDMI 1.4 / HDCP 1.1&1.2
- Extend transmission distance is up to 120M via Cat.5/6
- Support point-to-point mode
- Pure hardware design, plug and play, do not need to install additional software

The 4K 120M HDMI extender uses one single cat-5E or cat-6(recommended) cable instead of HDMI cable, you can extend the HDMI1.3-1080P signal to 120 meters or HDMI2.0 4K@60Hz to 60 meters.

The purpose of the extender is to achieves long-distance signal transmission with low-cost wires.

Specification	VHDI-0120
Model	4K 120M HDMI Extender Cascade connection
Transmission Distance	Length of CAT-6/CAT-5E cable between Rx and TX Up to 120 meters
HDMI Input	4K/1080p/1080i/720p/576p/576i/480p/480i
Support Audio Format	DTS/Dolby/LPCM
HDMI Output	1080p/720p/576p/576i/480p/480i
Max Bandwidth	340MHz
Max Baud Rate	3x3.4Gbps
Input Video Signal	0.5~1.5 Volts p-p
Output DDC Signal	5Volts p-p (TTL)
Input HDMI Cable Distance	≤ 15m AWG26 HDMI standard cable
Output HDMI Cable Distance	≤ 15m AWG26 HDMI standard cable
TX Max Working Current	350mA
RX Max Working Current	200mA
Power Adapter Format	Input:AC (50HZ, 60HZ) 100V-240V / Output: DC5V/1
Operating Temperature Range	-15°C to +55°C
Operating Humidity Range	5 to 90%RH (No Condensation)
Dimension (L x W x H)	94x84x24(mm)
Weight	TX Weight: 223g / RX Weight: 223g

Application : point to point application



Video Access Technology Corp.

4F.-11, No.6, Lane 609, Sec. 5, Chongxin Rd., Sanchong Dist., New Taipei City, Taiwan (Tong Cheng Industrial Zone)

Tel:+886-2-2999-8383 Fax:+886-2-2999-0303

web : www.videoaccess.com