

VIR-IR08MP15KW

Stainless Steel  
Camera Equipment

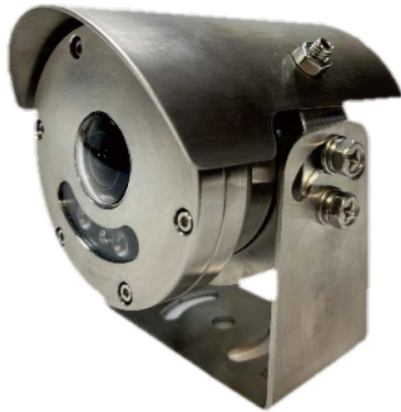
HD-SDI / 3G-SDI  
Equipment

AHD / TVI / CVI  
Equipment

HDMI / VGA  
Equipment

Speed Dome Camera

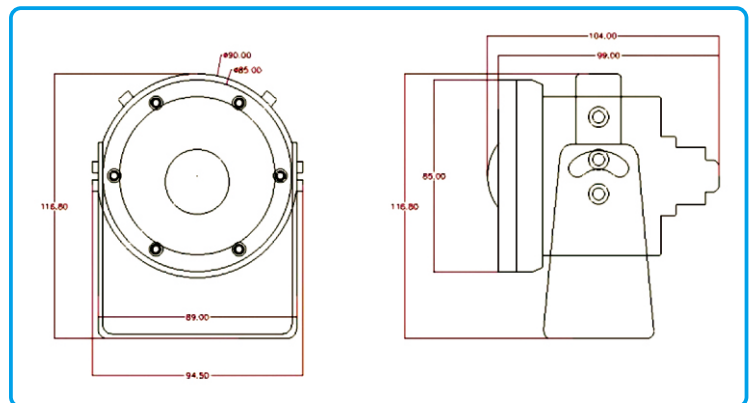
Matrix Switcher Solutions



**Features:**

- H.265(HEVC) / H.264(AVC) video compression
- 3840 x 2160p(4k), 8-Megapixel resolution
- Stainless Steel (AISI 316) can withstand harsh and corrosive environment
- Fix lens: 1.8mm (2.8mm, 4mm, 6mm optional)
- Three-stream encoding transmission
- Support Digital Wide Dynamic function
- IR distance up to 15 meters
- Provide True Day/Night ICR
- Support memory card internal storage: up to 128GB (option)
- Support RTMP protocol with built-in broadcast streaming function
- Support AI Intelligent Analysis function:
- Support PoE (option). IEEE802.3af/at standard compliant
- Comply with NDAA Section 889
- IP67 all-environments protection
- Excellent night vision in low-light environments
- Antirust Coating Germany Brantho-Korrux (option)
- OEM/ODM welcome

**Dimensions (mm)**



**VIR-IR08MP15KW**

Stainless Steel  
Camera Equipment

HD-SDI / 3G-SDI  
Equipment

AHD / TVI / CVI  
Equipment

HDMI / VGA  
Equipment

Speed Dome Camera

Matrix Switcher Solutions

|                  | Specification          |   |
|------------------|------------------------|---|
| <b>Camera</b>    | Image Sensor           | 1/2.8" CMOS Image Sensor  |
|                  | Effective Pixels       | 3840(H) × 2160(V), 8-Megapixel  |
|                  | Min. Illumination      | Color: 0.009Lux ; Balck : 0Lux  |
|                  | Electronic Shutter     | 1/10 ~ 1/50,000 sec   |
|                  | S/N Ratio              | ≥50dB   |
| <b>Lens</b>      | Day & Night            | IR cut filter   |
|                  | Focal Length           | 1.8 mm Fix Lens , (2.8mm, 4mm, 6mm, 8mm Optional)                     |
| <b>Video</b>     | Noise Reduction        | DNR   |
|                  | Day/Night              | Automatic, Manual, Scheduled  |
|                  | WDR                    | Support   |
|                  | Video Compression      | H.265/HEVC or H.264/AVC   |
|                  | Encoding Format        | Main Stream: H.265, H.264, M-JPEG                                     |
|                  |                        | Sub Stream: H.265, H.264, M-JPEG                                      |
|                  | Main Stream            | 3840x2160_30fps, 3072x2048_30fps, 2592x1944_30fps                     |
|                  |                        | 2560x1440_30fps, 2304x1296_30fps<br>1920x1080_30fps, 1280x720_30fps   |
|                  | Sub Stream             | 640x480, 640x360_30fps  |
|                  | Scalable Coding        | H.265, H.264 encoding   |
|                  | Video Bit Rate         | 64 ~ 16000kbps  |
|                  | H.264 Type             | Baseline Profile, Main Profile, High Profile                          |
|                  | H.265 Type             | Main Profile  |
|                  | Audio/Alarm            | None  |
| <b>Network</b>   | Protocols              | IPv4/IPv6, HTTP, DNS, RTSP, RTMP, TCP/IP, DHCP                        |
|                  | API                    | Open Network Video Interface (Profile S)                              |
|                  | Max User Access        | 6 Users   |
|                  | Web Browser            | IE Edge, Chrome, Safari   |
| <b>Image</b>     | Image Enhancement      | DNR   |
|                  | Wide Dynamic Range     | Support   |
|                  | Image Settings         | Saturation, brightness, contrast, sharpness adjustable by web browser |
|                  | Other Functions        | Motion Detection  |
| <b>Interface</b> | Ethernet Interface     | 1 RJ45 10M/100M self-adaptive Ethernet port                           |
| <b>IR Model</b>  | Illumination Projector | 2 sets of array LED   |
|                  | IR Distance            | Up to 15 meters   |
| <b>General</b>   | Power Supply           | DC12V 2.0A  |
|                  | Power Consumption      | <8W   |
|                  | Operating Temp.        | -10°C ~ 50°C, Humidity 90% or less (non-condensing)                   |
|                  | Storage Temp.          | -10°C ~ 55°C  |
|                  | Antirust Coating       | Germany Brantho-Korrux (option)                                       |
|                  | Dimensions / Weight    | 104mm x 116.8mm x 94.5mm / 1920g                                      |

Product specifications are subject to change without notice.