

VIR-IR08MP15KE

Stainless Steel
Camera Equipment

HD-SDI / 3G-SDI
Equipment

AHD / TVI / CVI
Equipment

HDMI / VGA
Equipment

Speed Dome Camera

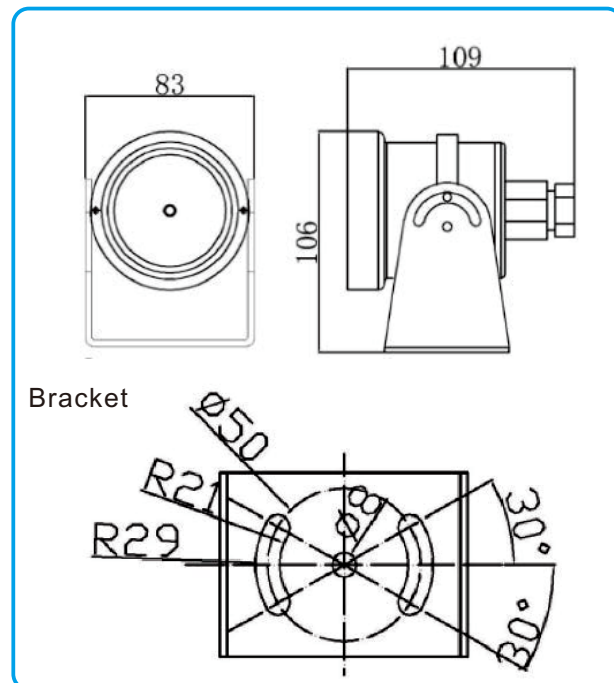
Matrix Switcher Solutions



Features:

- H.265(HEVC) / H.264(AVC) video compression
- 4K / 3840 x 2160P,8-Megapixel resolution
- Stainless Steel (AISI304) can withstand harsh and corrosive environment
- 3.6mm fix lens. (4mm, 6mm option)
- Three-stream encoding transmission
- Support Digital Wide Dynamic function
- IR distance up to 15 meters
- Provide True Day/Night ICR
- Support memory card internal storage: up to 128GB (option)
- Support RTMP protocol with built-in broadcast streaming function
- Support AI Intelligent Analysis function:
Human / Car / Motorcycle / Bicycle Detection
- Support NTP automatic time calibration
- Onvif Profile S compliant
- Support PoE (option). IEEE802.3af/at standard compliant
- Comply with NDAA Section 889
- IP67 all-environments protection
- Excellent night vision in low-light environments
- OEM/ODM welcome

Dimensions (mm)



VIR-IR08MP15KE

Stainless Steel Camera Equipment
 HD-SDI / 3G-SDI Equipment
 AHD / TVI / CVI Equipment
 HDMI / VGA Equipment
 Speed Dome Camera
 Matrix Switcher Solutions

	Specification		
Camera	Image Sensor	1/2.8" CMOS Image Sensor	
	Effective Pixels	3840(H) × 2160(V), 8-Megapixel	
	Min. Illumination	Color: 0.1Lux/F1.2 ; Black : 0.01Lux/F1.2	
	Electronic Shutter	1/10 ~ 1/10,000 sec	
	S/N Ratio	≥50dB	
	Day & Night	IR cut filter	
	Lens		
	Focal Length	3.6 mm Fix Lens , (4mm, 6mm, 8mm Optional)	
	Noise Reduction	2D-DNR, 3D-DNR (0 ~ 128 adjustable)	
	Day/Night	Automatic, Manual, Scheduled	
	WDR & HDR	120dB, 0 ~ 128 adjustable	
Video	Video Compression	H.265/HEVC or H.264/AVC	
	Encoding Format	Main Stream: H.265, H.264 / Sub Stream: H.265, H.264	
		Third Stream: H.265, H.264, M-JPEG	
	Main Stream	3840x2160_20fps, 3072x12048_20fps, 2592x1944_30fps	
		2560x1440_30fps, 2304x1296_30fps	
		1920x1080_60fps, 1280x720_60fps	
	Sub Stream	720x480, VGA, 640x360, 480x360, 352x240_30fps	
	Third Stream	1920x1080, 1280x720_10fps	
	Scalable Coding	H.265, H.264 encoding	
	Video Bit Rate	512 ~ 12288kbps	
	H.264 Type	Baseline Profile, Main Profile, High Profile	
	H.265 Type	Main Profile	
	Network	Network Storage	NAS (NFS), Auto Network Replenishment
		Protocols	IPv4/IPv6, HTTP, DNS, RTSP, RTMP, TCP/IP, DHCP
		API	Open Network Video Interface (Profile S)
Max User Access		6 Users	
Web Browser		IE Edge, Chrome, Safari	
Image	Day/Night Switch	Day/Night, Auto, Schedule	
	Image Enhancement	BLC, HLC, 3D-DNR, 2D-DNR	
	WDR & HDR	120 dB (WDR) / Support (HDR)	
	Defog	ON/OFF	
	Image Settings	Saturation, brightness, contrast, sharpness adjustable by web browser	
Other Functions	Motion Detection Area / Occlusion Alert / Smart Analysis		
Interface	Ethernet Interface	1 RJ45 10M/100M self-adaptive Ethernet port	
	On-Board Storage	Support memory card internal storage: up to 128GB (option)	
IR Model	Illumination Projector	10 High Brightness LED	
	IR Distance	Up to 15 meters	
General	Power Supply	DC12V 2.0A	
	Power Consumption	<8W	
	Operating Temp.	-30°C ~ 60°C, Humidity 90% or less (non-condensing)	
	Storage Temp.	-30°C ~ 60°C	
	Dimensions / Weight	109(L) x 83(W) x 106(H)mm / 1300g	

Product specifications are subject to change without notice.