

VCD-320SDI-20IR

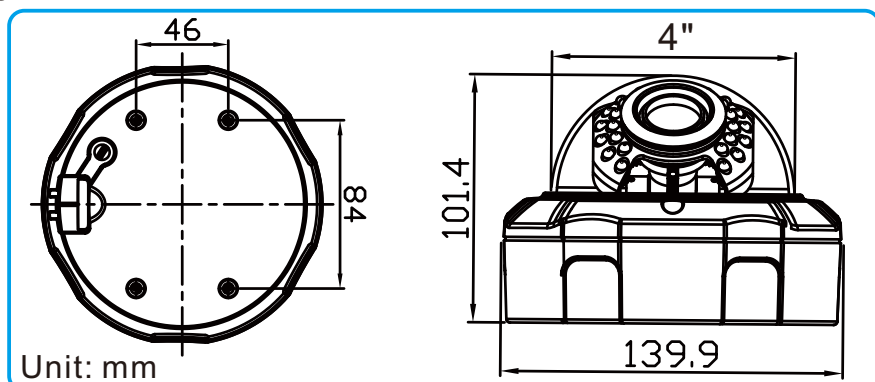


Description Features:

- *1/3" 2MP CMOS sensor Image Processor
- *Resolution: 1080P / 720P
- *Support WDR/3D-DNR
- *IR Leds: 30pcs* ϕ 5mm, IR Range: 20M
- *2.8~12mm zoom Lens
- *Support D-WDR

Specification	VCD-320SDI-20IR
Image Sensor	1/3" 2MP CMOS sensor
Effective pixels	1920(H) X 1080(V)
Frame Rates	1080P 30/25fps (HD-SDI)
Minimum illumination	Color : 0.1Lux @F1.2 / B/W : 0.01Lux @F1.2
OSD Menu	By coaxial control (OSD Button)
Digital Video Output	BNC Connector HD-SDI X1
Analog Video Output	BNC Connector Composite X1 (CVBS Or AHD)
S/N Ratio	50dB (AGC Off)
Lens Type	2.8mm~12mm
IR Cut Filter(ICR)	YES
On Screen Display	T_Chinese/English
WDR	Support
Digital Wide Dynamic Range	Adjustable
Day&Night Mode	Support
AGC	Adjustable
Dynamic Noise Reduction	Adjustable
Digital Zoom	Adjustable
Motion System	Support
Power Supply	12VDC

Product specifications are subject to change without notice.



Unit: mm

Video Access Technology Corp

6F.- 17, No.14, Lane 609, Sec. 5, Chongxin Rd., Sanchong Dist., New Taipei City, Taiwan (Tong Cheng Industrial Zone)

Tel:+886-2-2999-8383 Fax:+886-2-2999-0303

web : www.videoaccess.com