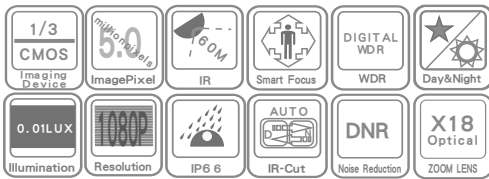


HD Network Speed Dome Camera

VSD128IP-5M18B/VSD128IP-5M18B-IR



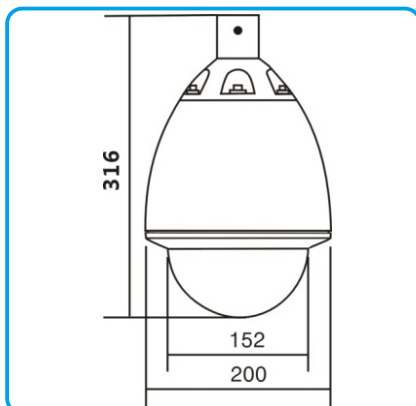
VSD128IP-5M18B



Feature:

- * Built-in 18X optical zoom autofocus lens
- * 1080P @ 30fps high-definition video output
- * Colorless rolling phenomenon (Color Rolling) and HSBC (Flicker)
- * Support ONVIF protocol (V2.4.1)
- * Automatic switching day and night dual filter (ICR) function accepts Infrared Spectroscopy
- * Can be transmitted through the Internet distal upgrade firmware file update software, simple and convenient
- * Perform remote monitoring through a Web browser or remote software
- * With a wide dynamic environment in high contrast to improve the clarity of the video
- * Day & Night automatic switching (mechanical dual filter)
- * Upgrade software through the Internet quickly
- * Support for dual power supply AC24V / DC12V
- * 128 preset points can be set, 5 auto scan groups
- * Built-in high-speed 360-degree continuous turret rotation
- * 90 °vertical movement, 180 °vertical auto flip (mechanical flip)
- * Moving fastest up to 300 degrees per second (preset point movement)
- * For outdoor type with IP66 waterproof and dustproof standards

Unit: mm



	VSD128IP-5M18B	VSD128IP-5M18B-IR
Camera		
Image Sensor	1/3" High-profile CMOS image processor	
Multi-stream Output	H.265/H.264+MJPEG	
Effective Pixels	2592(H)x1944(V)	
Sensitivity	Minimum illumination: Color: 0.05 Lux B/W: 0.01 Lux	
White Balance	Auto / Manual	
AGC	ON/OFF	
Noise Ratio	>50dB(AGC OFF)	
Sync Mode	Internal Synchronization	
WDR Mode	Auto (Up to 73.7dB)	
IRIS	Auto IRIS (F1.6)	
Shutter Speed	1 ~ 1/10,000s	
Day and Night	ICR Auto Switch	
Scan Mode	Progressive Scan	
BLC	ON/OFF	
Focus Mode	Auto / Manual	
Lens		
Optical Lens	18x Optical Zoom 4.8mm -86.4mm	
IRIS	F1.6~F3.0	
Viewing Angle	72° (Wide) / 3.8° (Far)	
3D Noise Reduction	Support Adjustable	
3D Positioning	Mouse Click Support Center, Marquee Zoom	
Pan/Tilt		
Pan/Tilt Range	Pan: 360 Degrees Endless Tilt: 180 Degrees	
Speed	Pan (Manual Speed): 0.1° ~180°/s, Pan (Preset Speed): 300°/s Tilt (Manual Speed): 0.1° ~120°/s, Tilt (Preset Speed): 220°/s	
Smart Focus Mode	Moving speed can be automatically adjusted according to the zoom ratio	
Preset	128	
360° Auto Scan	1	
Tour	5	
Pattern	1	
Protocol	PELCO-D/PELCO-P	
Self-Test	Perform a self-test when power is turned on	
Other Functions	Mechanical vertical 180-degree flip	
Infrared		
Infrared Distance	-	60 Meters
Infrared	-	8 Array Infrared Projector
Server		
Compression Mode	Support Multi-Stream Mode 2 way H.264 High profile and 1 way MJPEG	
Video Resolution	Main Stream : 2592x1944, 2592x1520, 2304x1296, 1920x1080, 1280x960, 1280x720, 720x576, 640x480 / 1920 x 1080 @30fps	
Preset	128	
Video Bitrate	Fixed-stream (CBR) or variable bit rate (VBR), Streaming settable range: 32Kbps ~ 10Mbps	
Max Remote Users	Main Stream 3 user, Sub Stream 6 user	
Network Functions	TCP/IP , HTTP , NTP , IGMP , DHCP , UDP , SMTP , RTP , RTSP , ARP , DDNS , DNS , HTTPS , P2P	
PTZ Protocol	Pelco-P/D Auto recognition of general protocols	
Network Connection	1x RJ-45 10/100 Mbps Ethernet	
Remote Control	Web, CMS	
ONVIF Protocol	Support ONVIF 2.4 Protocol	
Three-Stream	Support	
General		
Address set	DIP Switch Settings	
Power Supply	12VDC 4A	
Working Temp.	-30°C~60°C	
Working Humidity	90%	
Safety	IP66 / CE	
Bracket	Wall-mounted Or pendant style(Optional)	
Dome Dimension	ø200 x 316 mm	
Net Weight	4.5Kg	6.5Kg

Video Access Technology Corp.

6F.- 17, No.14, Lane 609, Sec. 5, Chongxin Rd., San-chong Dist., New Taipei City, Taiwan (Tong Cheng Industrial Zone)
Tel:+886-2-2999-8383 Fax:+886-2-2999-0303
web : www.videoaccess.com