

Analog Martix System

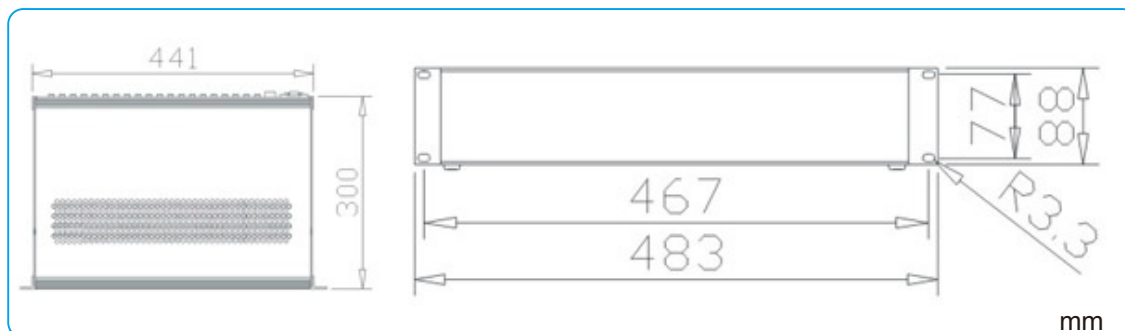
BE-6000 Series



Description Features:

- * Up to 64 video inputs by 16 video outputs
- * Scalable high density architecture for easy expansion, 2U standard aluminum case
- * Video/audio switch card, alarm input card, follow up control card are integrated as surveillance host
- * Display camera title in Chinese, English, French, Russian, etc. Adopt image programmable technology
- * With power fail safeguard function and video Sync function
- * Chinese/English Menu for setting matrix functions
- * User priority and password, system partition setting
- * Connect with up to 16 keyboards and support more than 3 grade connected network
- * Alarm: timed, manual, disarming/arming in fortify area and alarm record

Specification	BE-6000 Series
Model Spec.	
Video input	64 channels
Video output	16 channels
Video/Audio Index	Video input signal: 1Vp-p(75Ω), Video output signal: 1Vp-p(75Ω) Audio inout signal: 0.5~5Vp-p(600Ω), Audio Output Signal: Input Follower Video S/N: >70.5 dB, Audio S/N: >58 dB The Video Input Isolates: >55 dB, The Video Output Isolates: >50 dB The Audio Frequency Input Isolates: >58 dB, The Audio Frequency Output Isolates: >55 dB Video Channel Bandwidth: 12MHz, Audio Channel Bandwidth: 50Hz~30KHz
Switch Attribute	Manual/Auto cross point switch and salvos
Video/Audio switch	Synchronous switch
Switch mode	Power synchronous switch
Switch speed	NTSC≤16.7ms; PAL≤20ms
Date storage	Built-in memorizer, Non-volatile memory for a minimum of 10 years
Character overlay	Character with white bottom and black frame, no flickness
Screen display	Date, Time, Camera Title, alarm info, ... etc.
Image input	Computer input(Vinet software)
IP mode	Ethernet Mode or One Channel Video Server
Power	AC110V/50W 60Hz (AC220V/50W, 50Hz)
Dimension	483mm(L) x 300mm(W) x 88mm(H)



Video Access Technology Corp.

4F.- 17, No.14, Lane 609, Sec. 5, Chongxin Rd., Sanchong Dist., New Taipei City, Taiwan (Tong Cheng Industrial Zone)
Tel:+886-2-2999-8383 Fax:+886-2-2999-0303
web : www.videoaccess.com