

USER MANUAL

**HDMI 4x1 Quad Multi-viewer
Model No: HD-04**

Enjoy the vivid world!

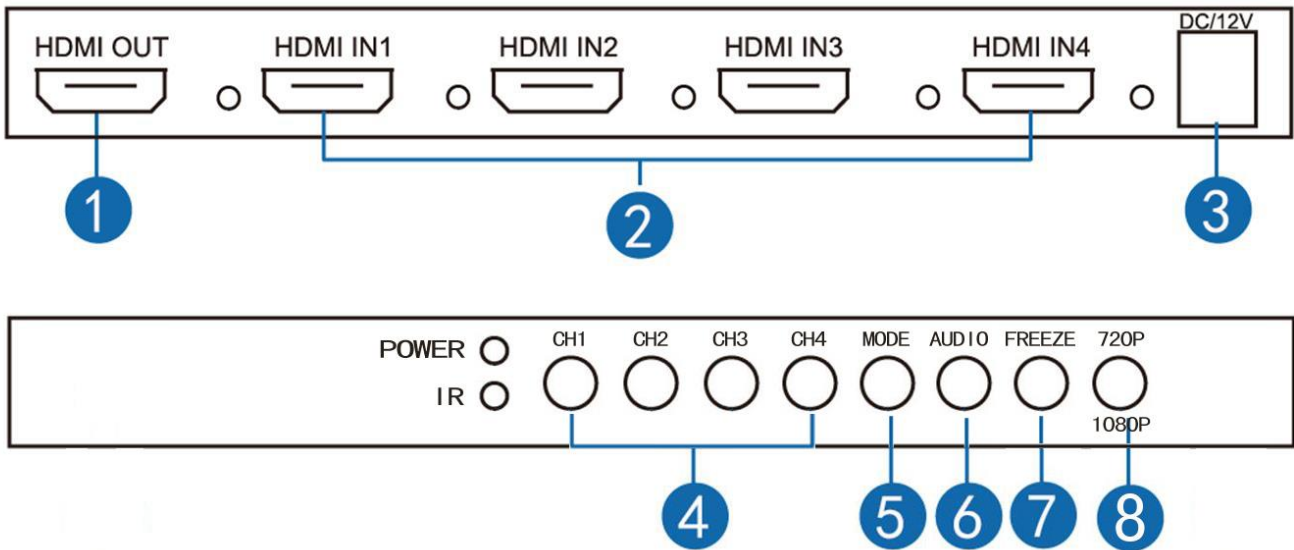
Introduction:

HDMI 4x1 Quad Multi-viewer is a high performance with four HD screen segmentation and seamless switching output switch. It can display 4HD digital video signal on the same screen, and has a variety of video segmentation, seamless switching 4 HD input signal synchronously. The control methods of the switch is flexible, it can be switched via button and IR control. It's a very practical and stable switch and easy to install, can be used in the major projects, meeting halls and other places.

Features :

- Support 4HDMI input, 1 HDMI output
- Support 4 channels HDMI signal screen segmentation
- Support 4 channels HDMI signal seamless switching
- Support highest resolution up to 1080P/60Hz
- Support IR remote control
- Compatible HDMI1.3a, HDCP1.2, input compatible DVI1.0 version
- Support resolution: 1080P,720P,1080i,1024X768,1360X768
- Support audio output format: PCM2, 5.1CH, 7.1CH, Dolby5.1, DTS5.1
- DC12V/2A power adapter
- Net weight: 350g
- Dimension (L x W x H): 18cm*10cm*2.5cm

Product interface pictures

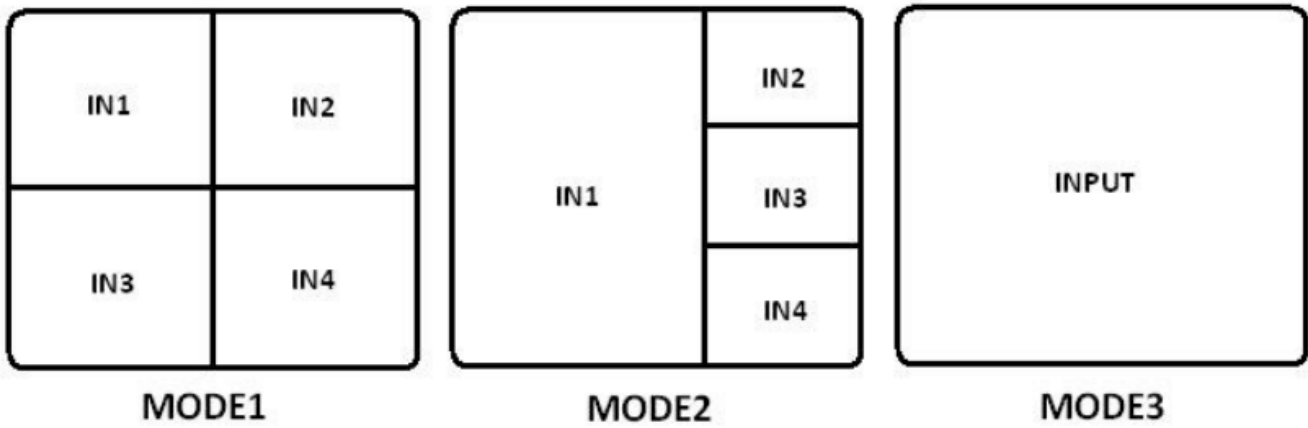


- 1: HDMI OUT ---HDMI output
- 2: HDMI IN1-4 ---HDMI input 1 to input 4
- 3: DC/12V ---DC12V power input
- 4: CH1-CH4--- CH1-CH4 full screen display switching
- 5: MODE--- Display mode switching
- 6: AUDIO---Video mode switching
- 7: FREEZE--- Picture freezing
- 8: 720P/1080P--- Output Resolution switching

Connection diagram



Display MODE:



MODE1: Switching IN1-IN4, to choose the audio output

MODE2: Switching IN1-IN4, the audio output is the same as the audio of the main interface.

MODE3: IN1-IN4, the 4 channels HDMI signal seamless switching

Package include :

- | | |
|-------------------------------|----|
| 1. HDMI 4x1 quad multi-viewer | x1 |
| 2. 12V/ 2A power adapter | x1 |
| 3. Remote control | x1 |
| 4. User manual | x1 |