

## Alarm Controller

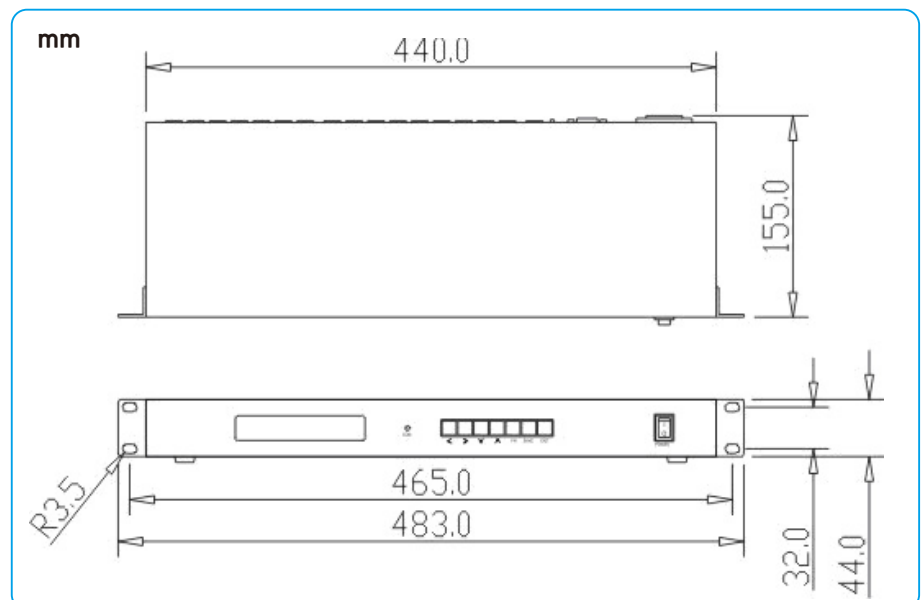
### BE-2000AL Series



#### Description Features:

- \* Anti-dismantle and anti-cut off inspection for input signal
- \* Input signal can be inputted at Normally open or close
- \* Vinet system manage and visit every alarm area
- \* Alarm information is sent to control center
- \* Up to 64 Channel control input max extend to 1024 channel alarm input
- \* Max 7 channel control outputs alarm call-up input scan be programmed through LCD menu for each channel
- \* Arming and disarming
- \* With LCD display and operation press,built-in LCD function menu treated as alarm mainframe
- \* LCD indicates arming, disarming and online alarm etc, built-in accurate clock
- \* Associate with multi-media alarm mainframe and electronic map
- \* 1U standard aluminium alloy case

	BE-2032AL	BE-2064AL
Model Spec.		
Alarm input	32(CHS)	64(CHS)
Alarm output	7 channels programmable output	
Information indicator	LCD display,buz	
Alarm input mode	Nomally open or normally close	
Disarming/arming	Timing、 manual、 24 hours protection area	
Relay output capacity	2A/AC1100V、 2A/DC30V	
Communication port	RS485,Baud rate:1200/2400/4800/9600bps	
Protection	Surge protection and thunderproof	
Power	AC110V/20W 60Hz	AC110V/30W 60Hz



#### Video Access Technology Corp.

4F.-11, No.6, Lane 609, Sec. 5, Chongxin Rd., Sanchong Dist., New Taipei City, Taiwan (Tong Cheng Industrial Zone)  
 Tel:+886-2-2999-8383 Fax:+886-2-2999-0303  
 web : www.videoaccess.com