

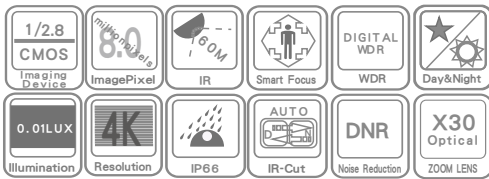
HD Network Speed Dome Camera

VSD128IP-8M30B/-IR



VSD128IP-8M30B-IR

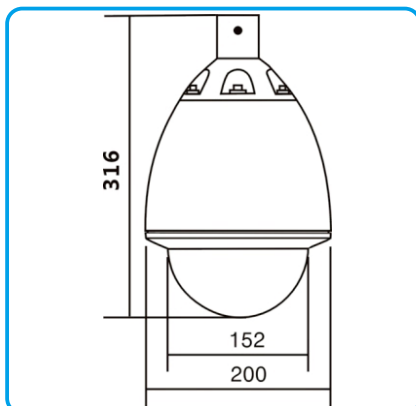
VSD128IP-8M30B



Feature:

- * 1/2.8-Type SONY CMOS Image Sensor
- * Excellent night vision in low-light environments
- * High quality imaging with 8 MP resolution
- * 30x optical zoom provide close up views over expansive areas
- * Expansive night view with up to 100 m IR distance
- * 255 preset points can be set, 5 auto scan groups
- * Built-in high-speed 360-degree continuous turret rotation
- * Moving fastest up to 300 degrees per second
- * Supports Open Network Video Interface
- * Products comply with NDAA Section 889
- * OEM/ODM welcome
- * Protection Level
EMC Standard CE-EMC
EN55032:2015, EN55035:2017,
EN61000-3-2:2019, EN61000-3-3:2013+A1:2019)

Unit: mm



Specification	VSD128IP-8M30B(IR)
Image Sensor	1/2.8-Type SONY CMOS Image Sensor
Effective Pixels	3840 x 2160
Min. Illumination	Color: 0.01 Lux, B/W: 0.001Lux
Electronic Shutter	1/10 ~ 1/10,000 sec
S/N Ratio	≥ 50dB
Day & Night	IR cut filter
Zoom	30x optical zoom
Focal Length	4.3mm (wide) ~ 129 mm(tele)
Aperture	F1.5 ~ F3.6
Horizontal field of view	Approx. 56°(wide) ~ 3.1°(tele)
Focus	Auto, semi-auto, manual
Video Compression	Main Stram: H.265, H.264 / Sub Stream: H.265, H.264 Third Stram: H.265, H.264, M-JPEG
Main Stream	3840x2160_20fps, 3072x1728_30fps, 2592x1944_30fps 2560x1440_30fps, 2304x1296_30fps, 1920x1080_60fps, 1280x720_60fps
Sub Stream	1280x720, 640x480, 640x360, 480x360, 352x240_30fps
Third Stream	1920x1080, 1280x720, 352x240_30fps
Scalable Video Coding	H.264 and H.265 encoding
Video Bit Rate	512 ~ 12288kbps
H.264 Type	Baseline Profile, Main Profile, High Profile
H.265 Type	Type Main Profile
Audio Compression	G.711, G.711a law, AAC
Network Storage	NAS (NFS), auto network replenishment
Protocols	IPv4/IPv6, HTTP, DNS, RTSP, RTMP, TCP/IP, DHCP
API	Open Network Video Interface (Profile S)
Web Browser	IE Edge, Chrome, Safari
Day/Night Switch	Day, Night, Auto, Schedule
Image Enhancement	BLC, HLC, 3D DNR, 2D DNR
Wide Dynamic Range	Support
High Dynamic Range Imaging	Support (HDR)
Defog	Digital defog
Image Settings	Saturation, brightness, contrast, sharpness adjustable by web browser
Ethernet Interface	1 RJ45 10M/100M self-adaptive Ethernet port
On-Board Storage	Support microSD/SDHC/SDXC card, up to 128 GB
Alarm / Audio	Alarm 1 input, 1 output / Audio 1 input, 1 output
Movement Range (Pan)	Horizontal: 0°~360°endless
Movement Range (Tilt)	Vertical: -2°~90° (auto flip 180°)
Pan / Tilt Speed	Horizontal: 0.1°~250°/s / Vertical: 0.1°~120°/s
Preset Speed	Horizontal: 300°/s, Vertical: 150°/s
Presets	255 Points
Speed Setup	Human-oriented focal Length/speed adaptation
Power up Action	Auto restore to previous PTZ and lense status after power failure
Idle Motion Activate	Preset, Scan, Tour, Patrol
Basic Event	Motion detection, video tampering alarm, alarm input and output
Illumintaor Projector	Illumintaor Projector 8 Array
Supplement Light Range	IR Distance: up to 100m
Power Supply	DC12V 4.0A or AC24V 3.0A (optional)
Operating Temperature	-30°C ~ 60°C, Humidity 90% or less (non-condensing)
Casing	Aluminum Case
Dimensions	Φ200(mm) x 316 (mm)
Weight	5kg
Protection Leve	Protection Level IP66 (International Protection Marking, IEC 60529)
Warranty 1-year warranty	Warranty 1-year warranty

Video Access Technology Corp.

6F.-17, No.14, Lane 609, Sec. 5, Chongxin Rd., Sanchong Dist., New Taipei City, Taiwan (Tong Cheng Industrial Zone)
Tel:+886-2-2999-8383 Fax:+886-2-2999-0303
web : www.videoaccess.com